

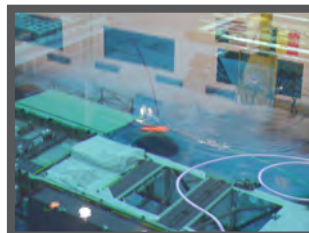
## LBV150-4 MiniROV Systems

The SeaBotix LBV150-4 systems are entry-level MiniROVs with many professional-level specifications.



- 150 meter (500ft) depth rating and tether lengths to 250 meters (820ft)
- Powerful brushless DC thrusters with individual oil-compensators
- 4-axis maneuverability with intuitive hand controller
- Ultra small diameter high strength, durable, low drag tether
- Crystal clear video and high resolution low light color camera
- 270° range of view with high intensity LED array tracking camera
- Extensive range of options including laser scaling, grabber, zoom, reel, LED lighting and more

LBV150-4 MiniROV systems are ideal for operations in more shallow waters requiring a higher-level of capability and features than are typically found in base systems. Expect incredible performance with powerful brushless thrusters, 4-axis maneuverability, and our industry-leading low-drag tether. Each system is equipped with all of the necessary features to perform demanding tasks.

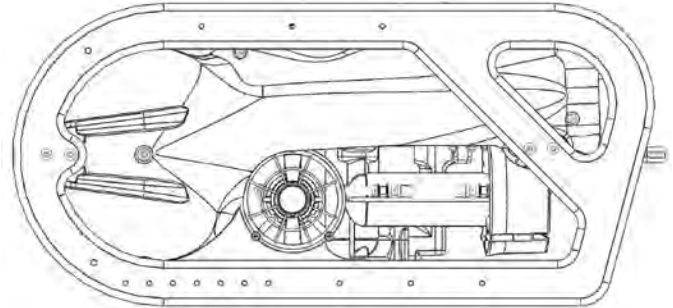


## General

|                |                 |
|----------------|-----------------|
| Depth Rating:  | 150m (500ft)    |
| Length:        | 530mm (21in)    |
| Width:         | 245mm (9.65in)  |
| Height:        | 254mm (10in)    |
| Diagonal:      | 353mm (13.9in)  |
| Weight in air: | 11kg (24.25lbs) |

## Thrusters/Performance

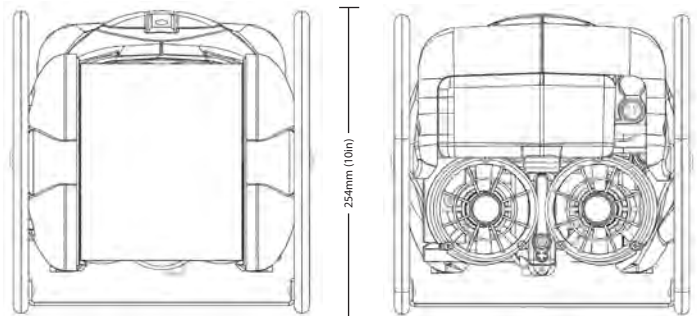
|                        |                                  |
|------------------------|----------------------------------|
| Configuration:         | 2 forward, 1 vertical, 1 lateral |
| Motor Type:            | Brushless DC direct drive        |
| Bollard Thrust:        | 4.9kgf (10lbf) each              |
| Speed at Surface:      | 3 knots (1.54m/sec)              |
| Max Operating Current: | 2 knots (1.03m/sec)              |



530mm (21in)

## Cameras/Lighting

|                |   |
|----------------|---|
| Camera:        | 680 line High resolution color                      |
| Range of View: | 270 Degrees   |
| Focus:         | Manual (90mm to infinity)                           |
| Format:        | NTSC or PAL   |
| Lighting:      | Internal 700 Lumen LED array<br>Tracks color camera |



254mm (10in)

245mm (9.65in)

## Control System

|                    |  |
|--------------------|--|
| Configuration:     | Rugged case with weatherproof monitor and removable operator control unit  |
| Monitor:           | 38cm (15") LCD   |
| Power Requirement: | 1,000 watts, 100-130/200-240 VAC   |
| Safety:            | Isolated input, circuit breaker, LIM, leak monitor<br>Meets & exceeds AODC 035 "Code of Practice for the Safe use of Electricity in Water" |
| Auto Functions:    | Depth, heading, trim   |
| Video Overlay:     | Depth, heading, lights, thruster gain, turns counter, camera angle, time, date and user programmable characters                            |

## Tether

|                    |   |
|--------------------|---|
| Diameter:          | 8.9mm (0.35in) nominal                          |
| Length:            | 150m (500 ft) standard                          |
| Working Load:      | 100kgf (220lbf)                                 |
| Breaking Strength: | 700kgf (1,543lbf)                               |
| Buoyancy:          | Neutral in fresh, slightly positive in seawater |

## Options

|                 |  |
|-----------------|--|
| Tether Lengths: | 150-250m (500-820ft)   |
| Grabber:        | Three jaw, interlocking small, interlocking large, parallel and cutter |
| Tracking:       | USBL positioning system  |
| Lights:         | Multiple head ultra bright LED   |
| Other:          | Laser scaling, zoom camera and more                                    |

